

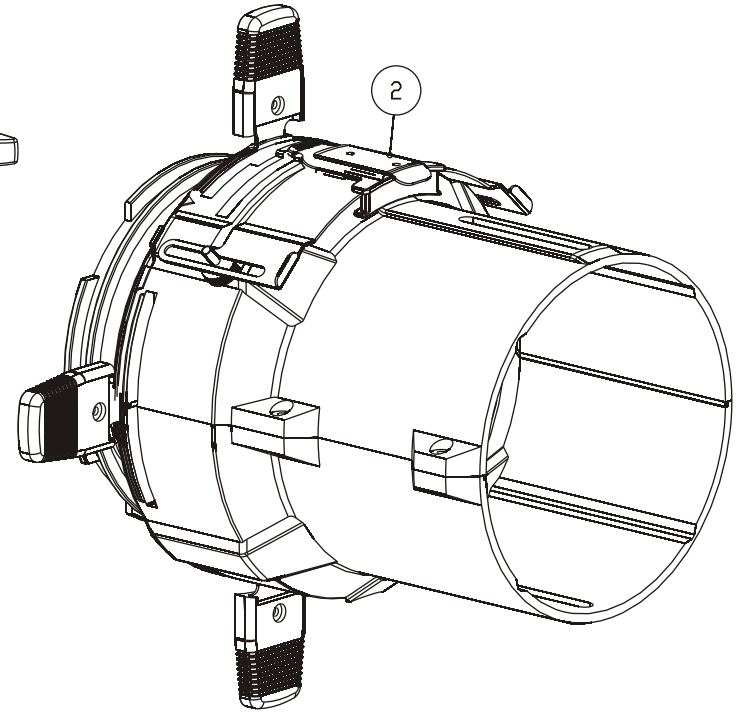
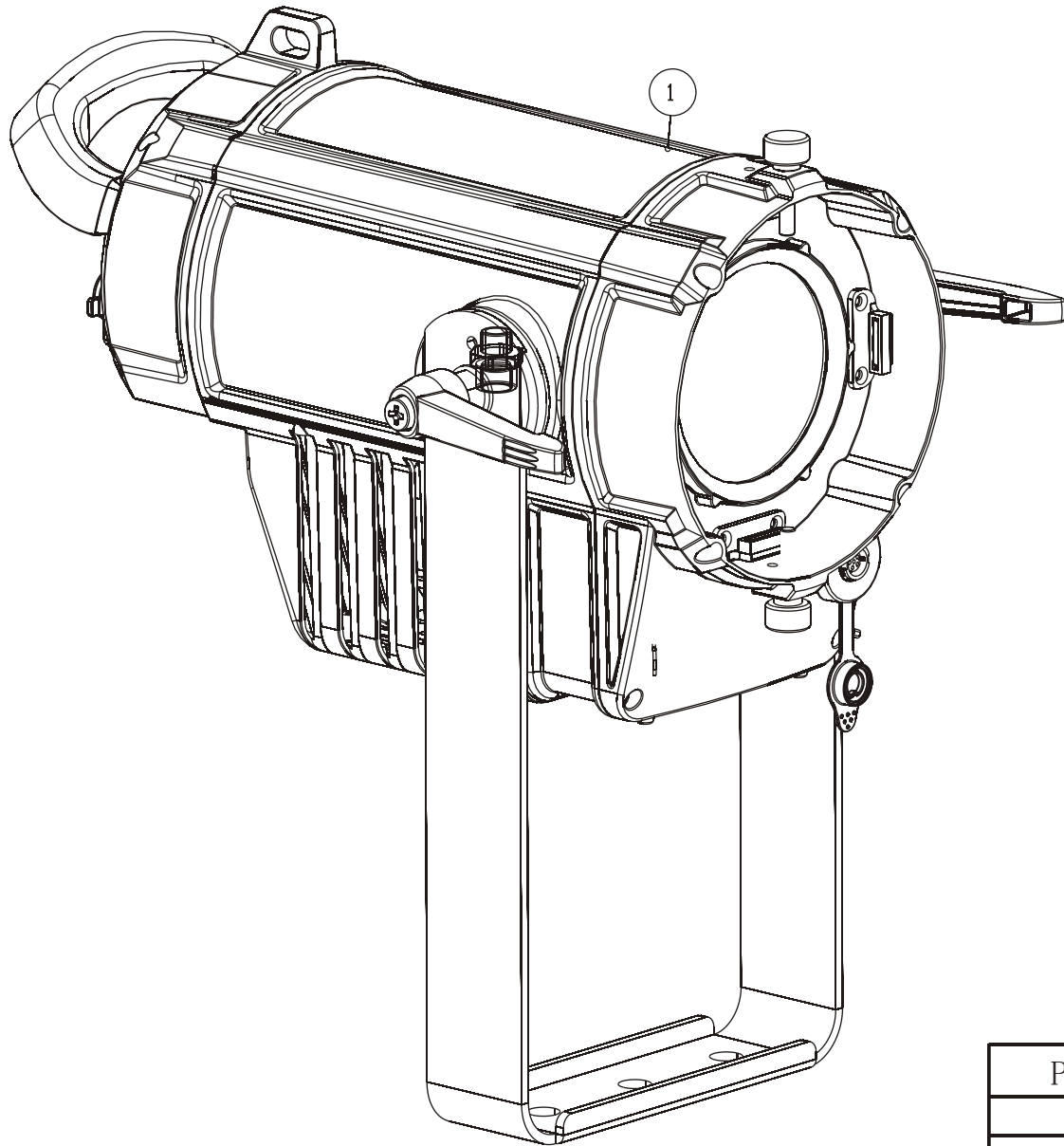
Service manual

WW PROFILE HP IP

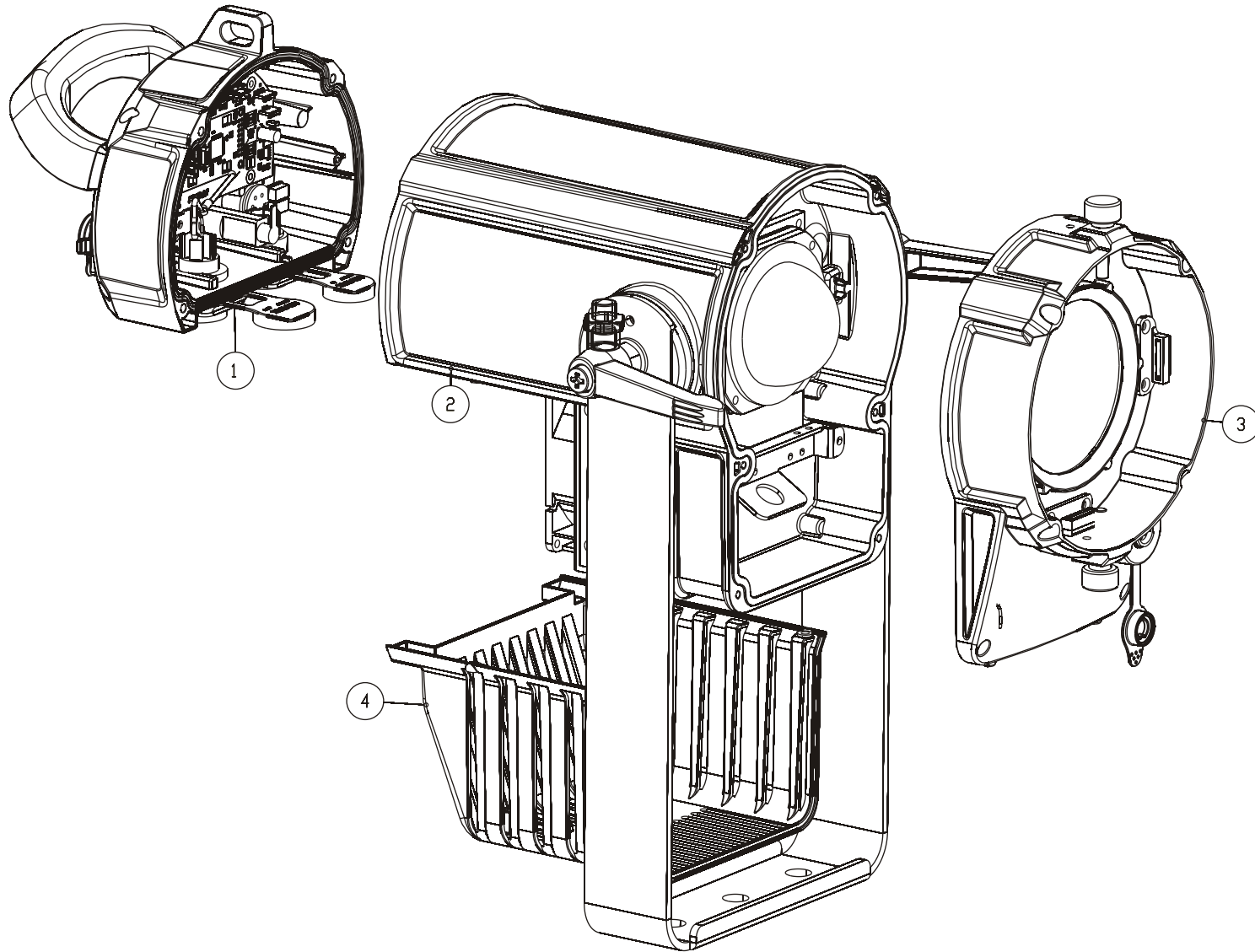
- ✘ Exploded Diagrams
- ✘ Circuit Diagrams
- ✘ Wiring Diagrams
- ✘ Parts List



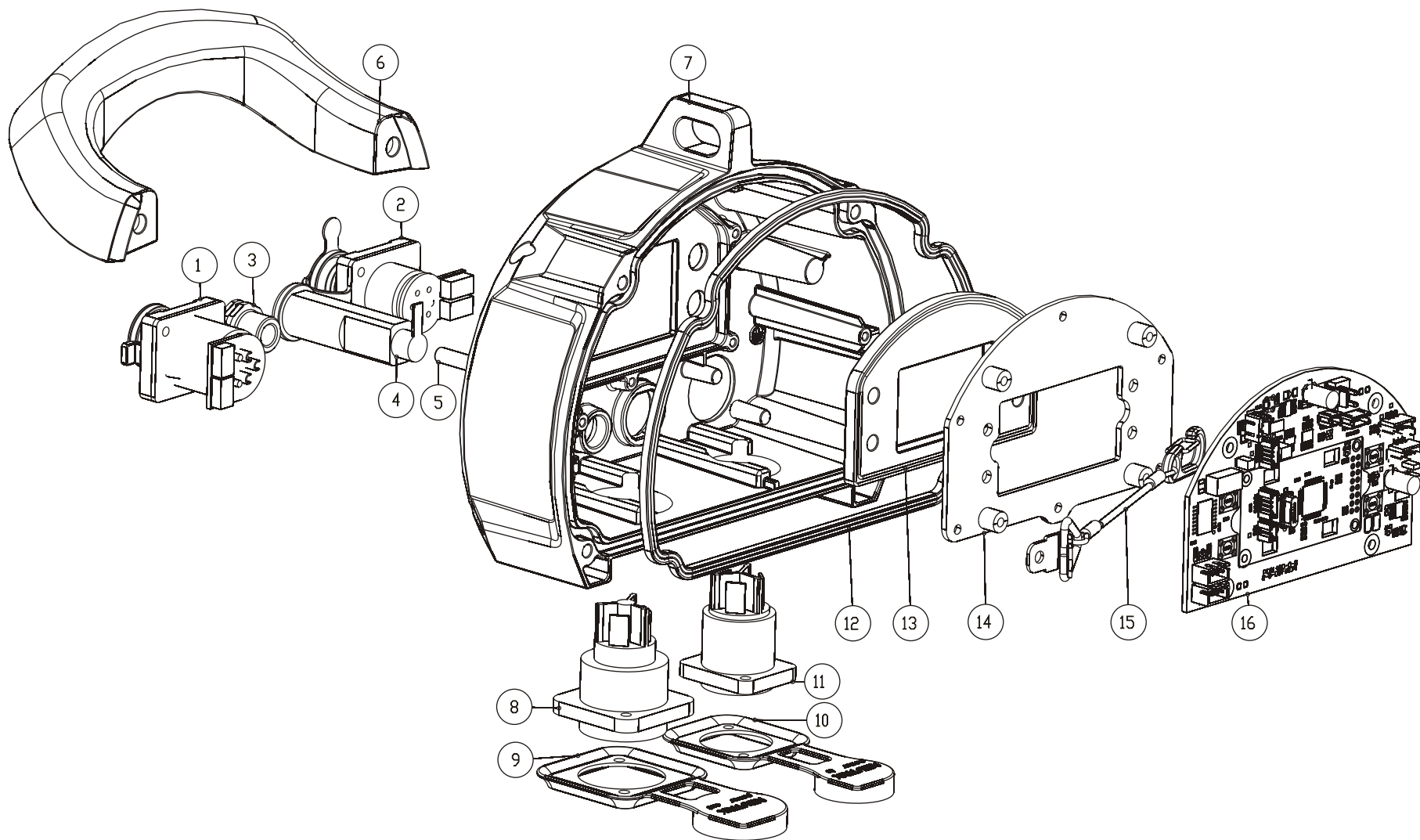
PRODUCT		WW Profile HP IP	
PIC. NO.		Front Page	Series No. N/A
EDIT		FILE NO.	HY-EXP-1808A
CHECK		ORDER NO.	SO20172266
APPROVE		VERSION	V100_001



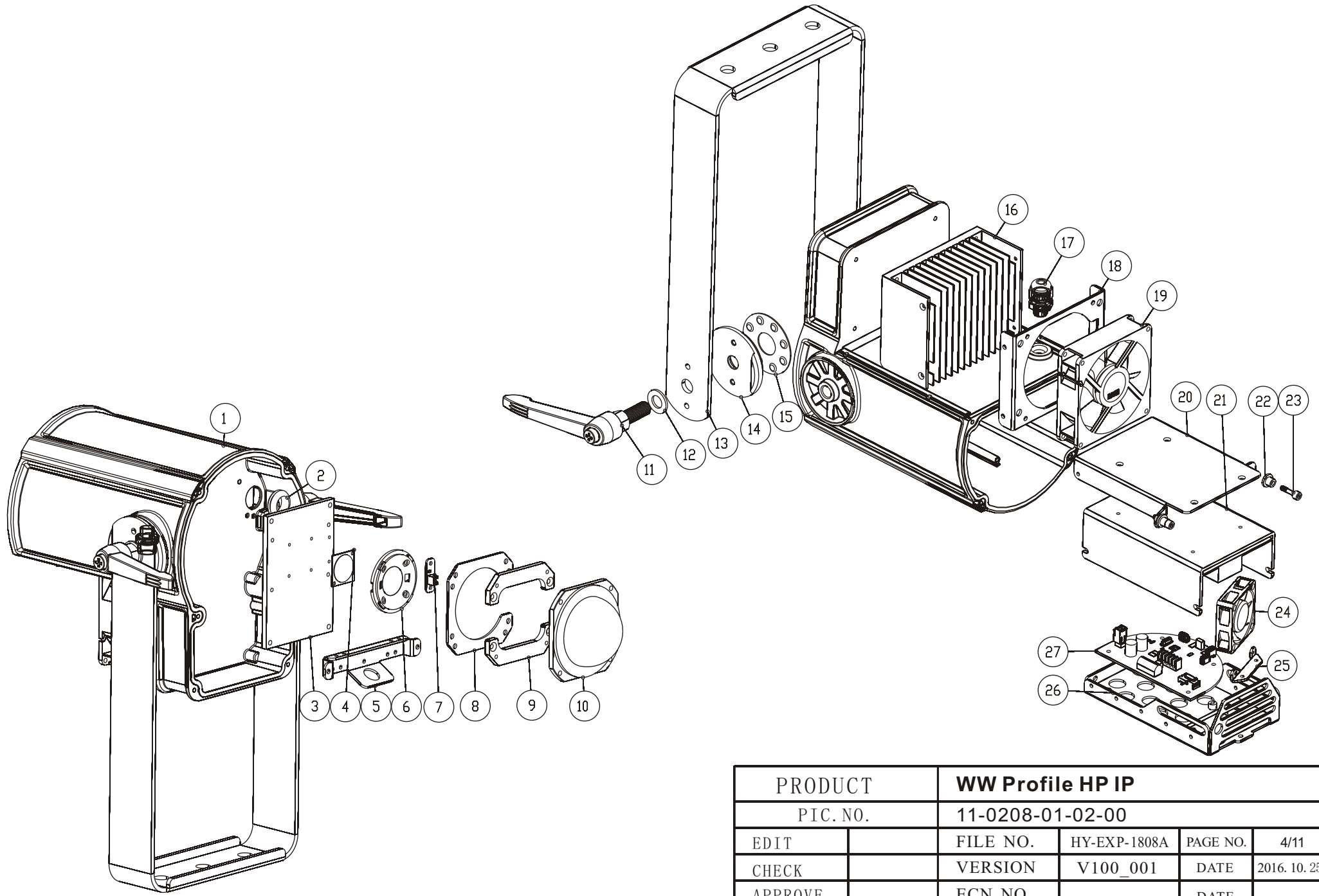
PRODUCT		WW Profile HP IP			
PIC. NO.		11-0208-00-00-00			
EDIT		FILE NO.	HY-EXP-1808A	PAGE NO.	1/11
CHECK		VERSION	V100_001	DATE	2016. 10. 25
APPROVE		ECN NO.		DATE	



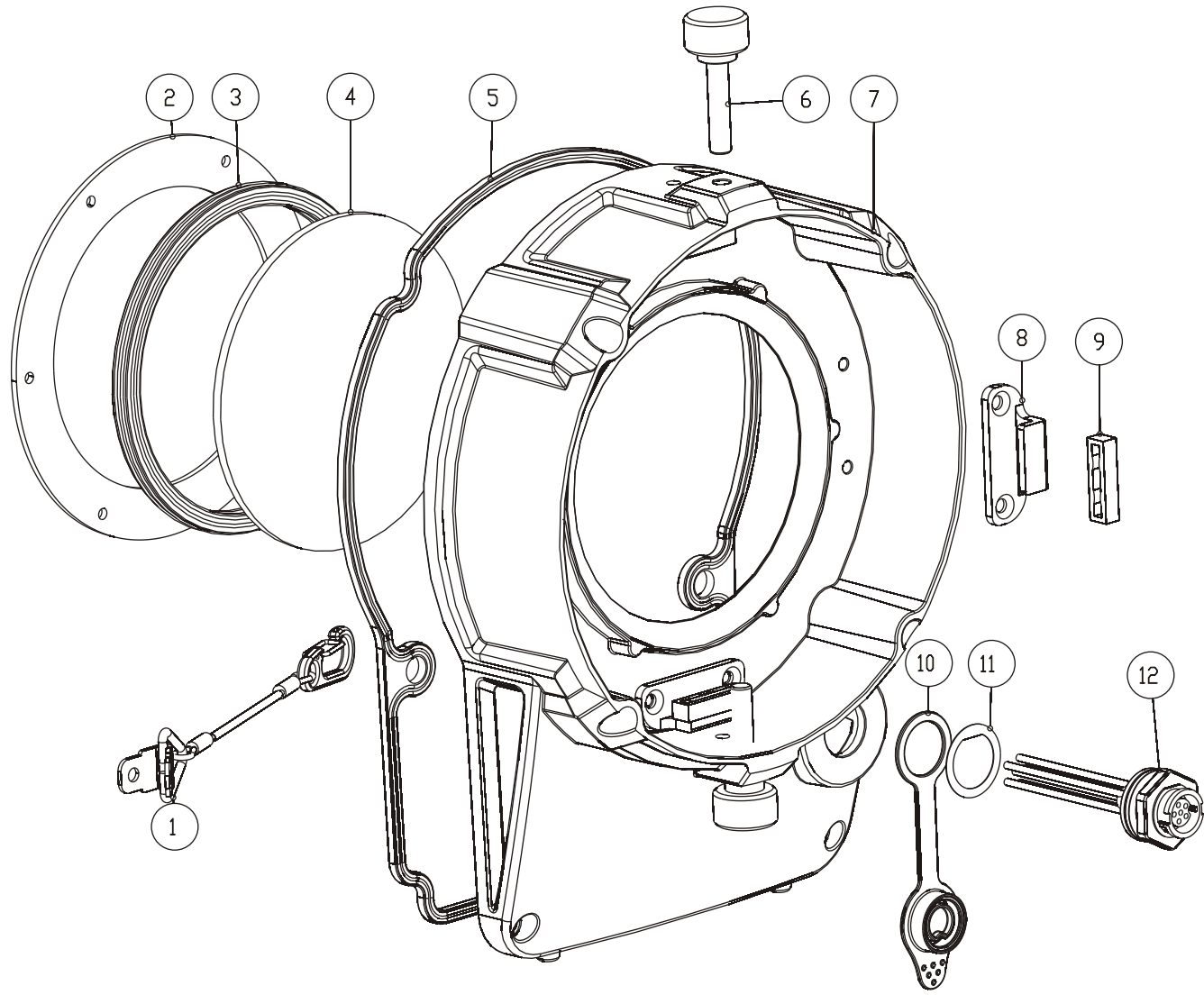
PRODUCT		WW Profile HP IP			
PIC. NO.		11-0208-01-00-00			
EDIT		FILE NO.	HY-EXP-1808A	PAGE NO.	2/11
CHECK		VERSION	V100_001	DATE	2016. 10. 25
APPROVE		ECN NO.		DATE	



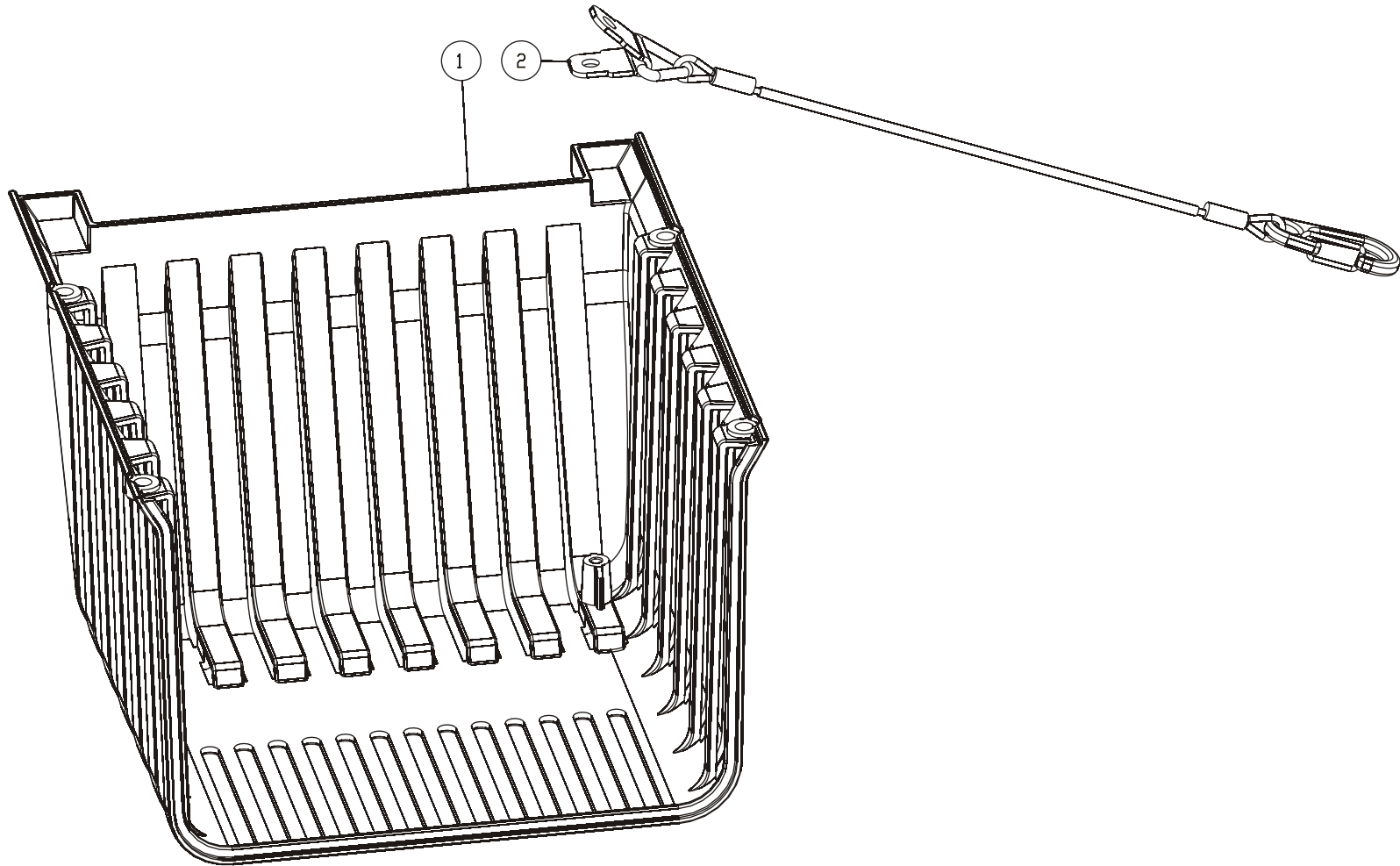
PRODUCT		WW Profile HP IP			
PIC. NO.		11-0208-01-01-00			
EDIT		FILE NO.	HY-EXP-1808A	PAGE NO.	3/11
CHECK		VERSION	V100_001	DATE	2016. 10. 25
APPROVE		ECN NO.		DATE	



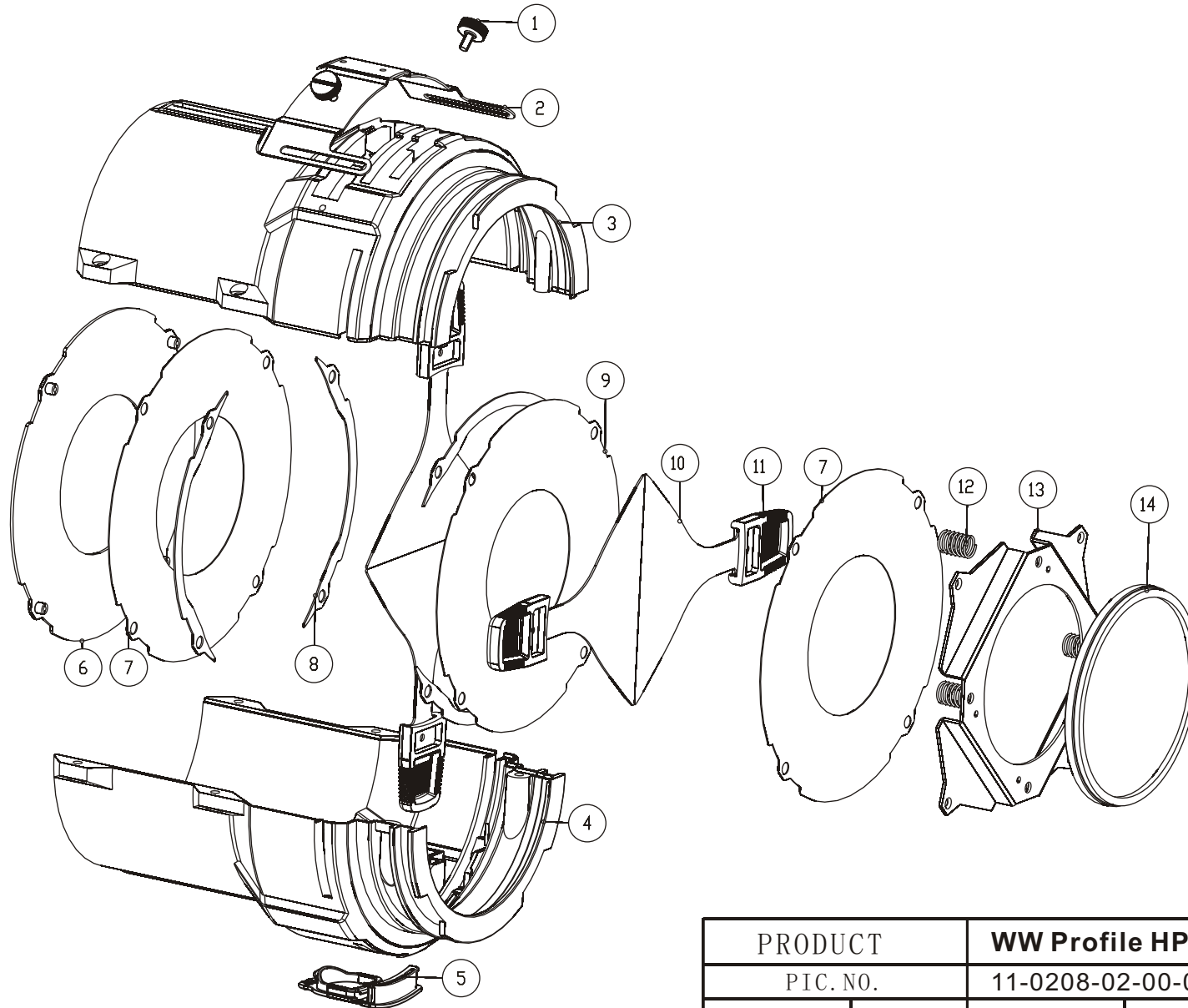
PRODUCT		WW Profile HP IP			
PIC. NO.		11-0208-01-02-00			
EDIT		FILE NO.	HY-EXP-1808A	PAGE NO.	4/11
CHECK		VERSION	V100_001	DATE	2016. 10. 25
APPROVE		ECN NO.		DATE	



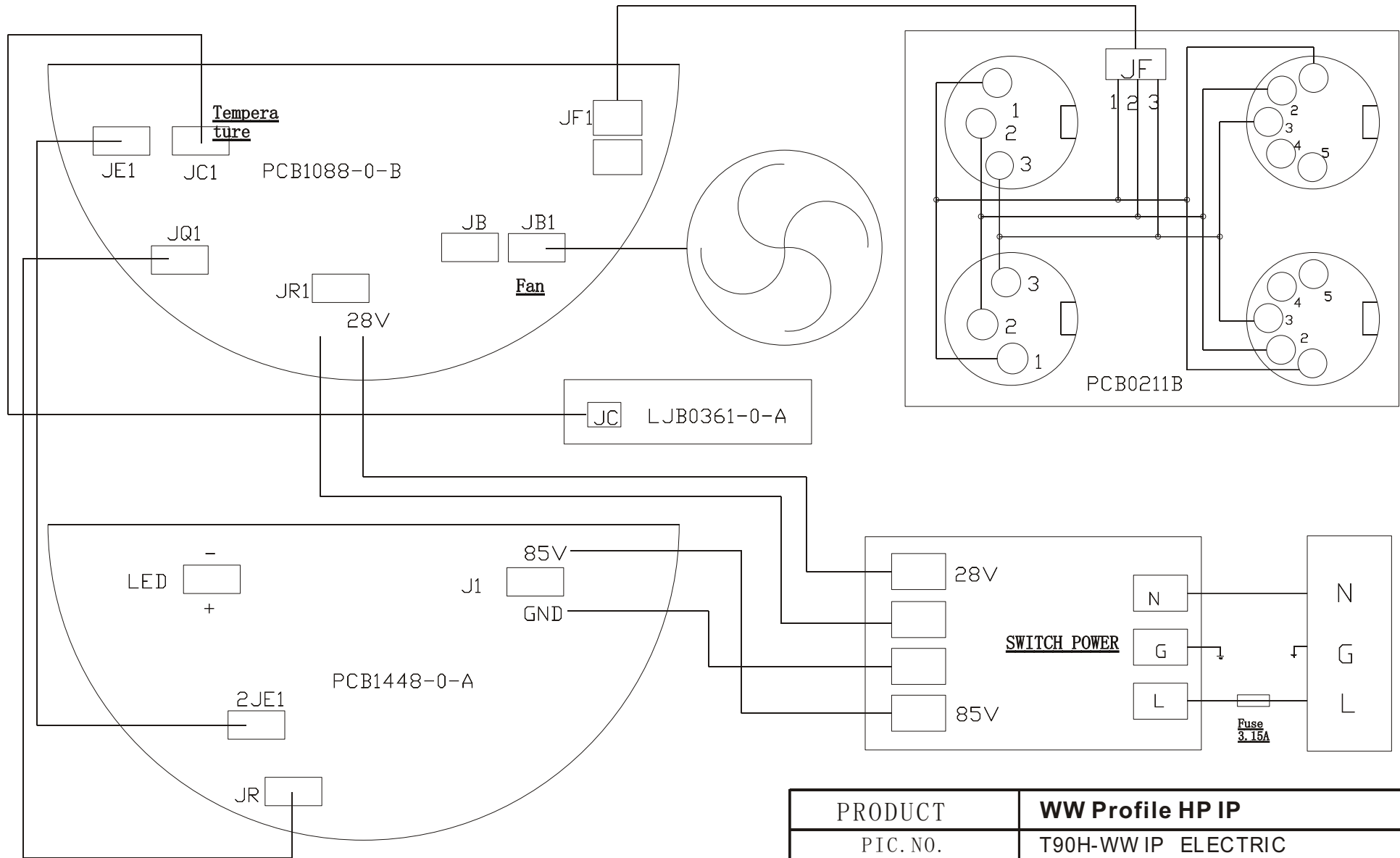
PRODUCT		WW Profile HP IP			
PIC. NO.		11-0208-01-03-00			
EDIT		FILE NO.	HY-EXP-1808A	PAGE NO.	5/11
CHECK		VERSION	V100_001	DATE	2016.10.25
APPROVE		ECN NO.		DATE	



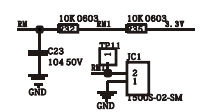
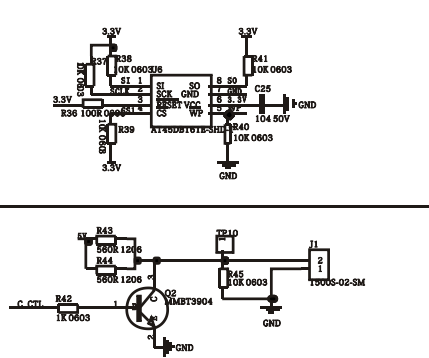
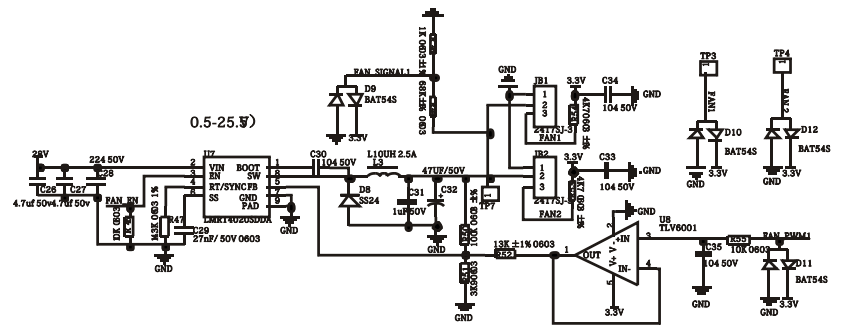
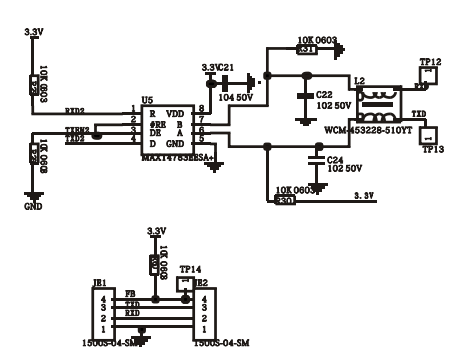
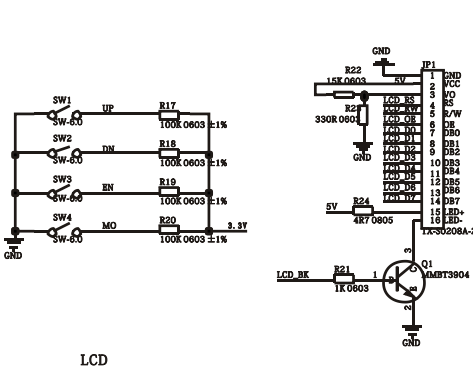
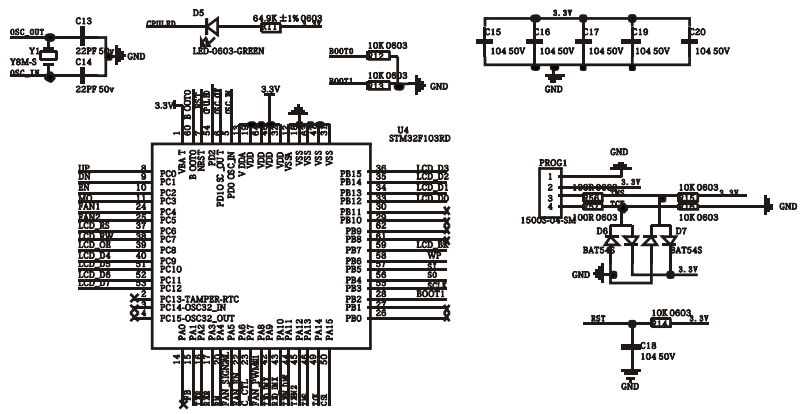
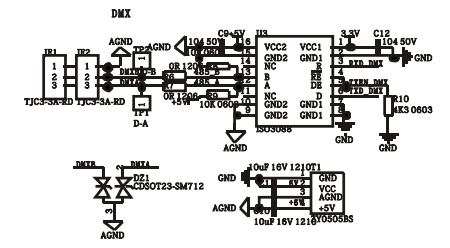
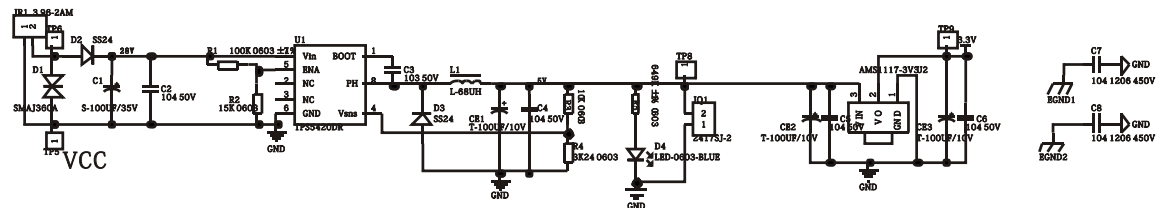
PRODUCT		WW Profile HP IP			
PIC. NO.		11-0208-01-04-00			
EDIT		FILE NO.	HY-EXP-1808A	PAGE NO.	6/11
CHECK		VERSION	V100_001	DATE	2016.10.25
APPROVE		ECN NO.		DATE	



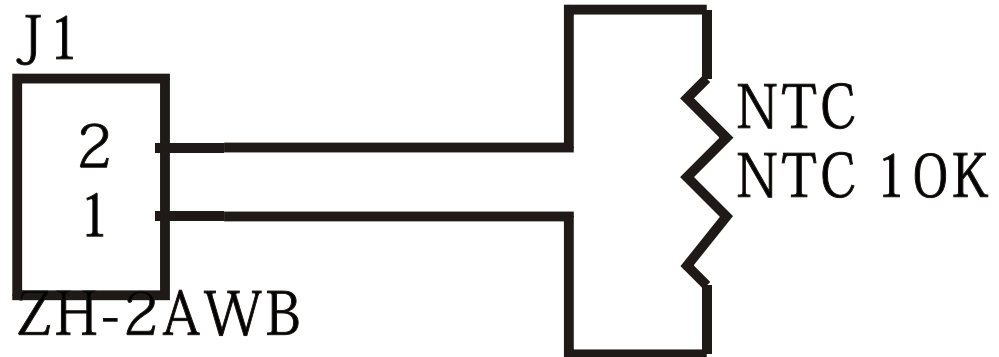
PRODUCT		WW Profile HP IP			
PIC. NO.		11-0208-02-00-00			
EDIT		FILE NO.	HY-EXP-1808A	PAGE NO.	7/11
CHECK		VERSION	V100_001	DATE	2016.10.25
APPROVE		ECN NO.		DATE	



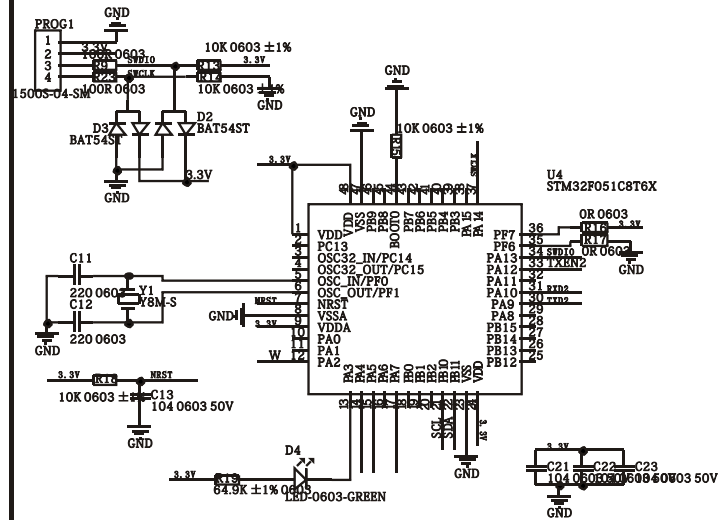
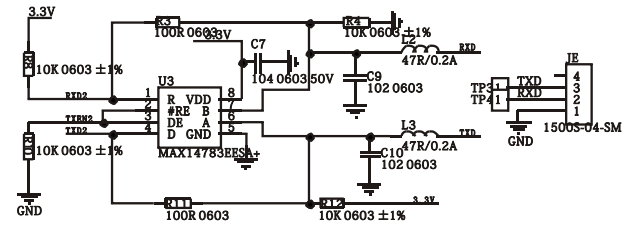
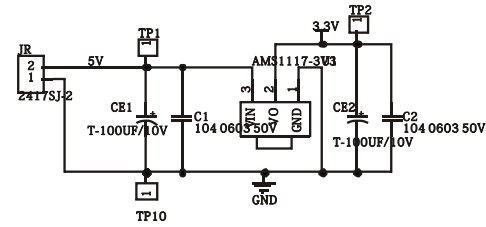
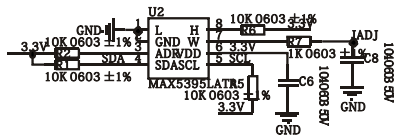
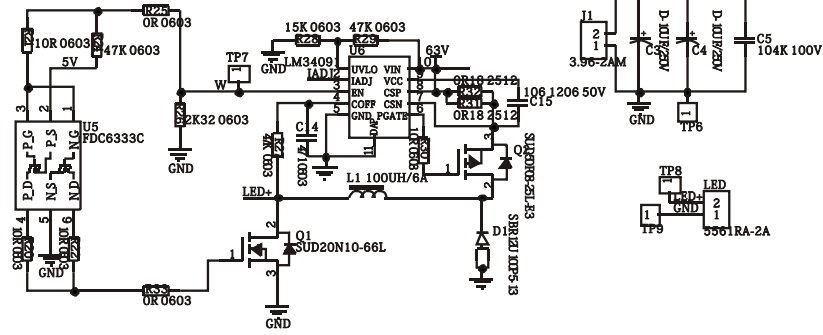
PRODUCT		WW Profile HP IP			
PIC. NO.		T90H-WW IP ELECTRIC			
EDIT		FILE NO.	HY-WIJL-L042	PAGE NO.	8/11
CHECK		VERSION	NR	DATE	2016.10.25
APPROVE		ECN NO.		DATE	



PRODUCT		WW Profile HP IP			
PIC. NO.		PCB1480-0-B SCHEME			
EDIT		FILE NO.	HY-WIEC-1782	PAGE NO.	9/11
CHECK		VERSION	NR	DATE	2016. 10. 25
APPROVE		ECN NO.		DATE	



PRODUCT		WW Profile HP IP			
PIC. NO.		LJB0361-0-A SCHEME			
EDIT		FILE NO.	HY-WIEC-1715	PAGE NO.	10/11
CHECK		VERSION	NR	DATE	2016.10.25
APPROVE		ECN NO.		DATE	



PCB1492-0-A

PRODUCT		WW Profile HP IP			
PIC. NO.		PCB1492-0-A SCHEME			
EDIT		FILE NO.	HY-WIEC-1780	PAGE NO.	11/11
CHECK		VERSION	NR	DATE	2016. 10. 25
APPROVE		ECN NO.		DATE	